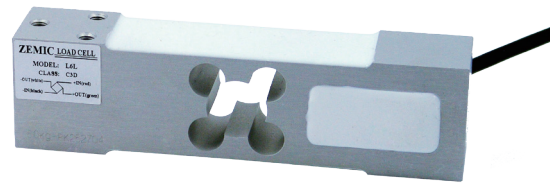


L6L

- Aluminum, parallel beam. Surface anodized, anti-corrosion.
- Ingress protection (according to EN 60529): IP65
- Suitable for electronic pricing scales, electronic platform scales and other electronic weighing devices.



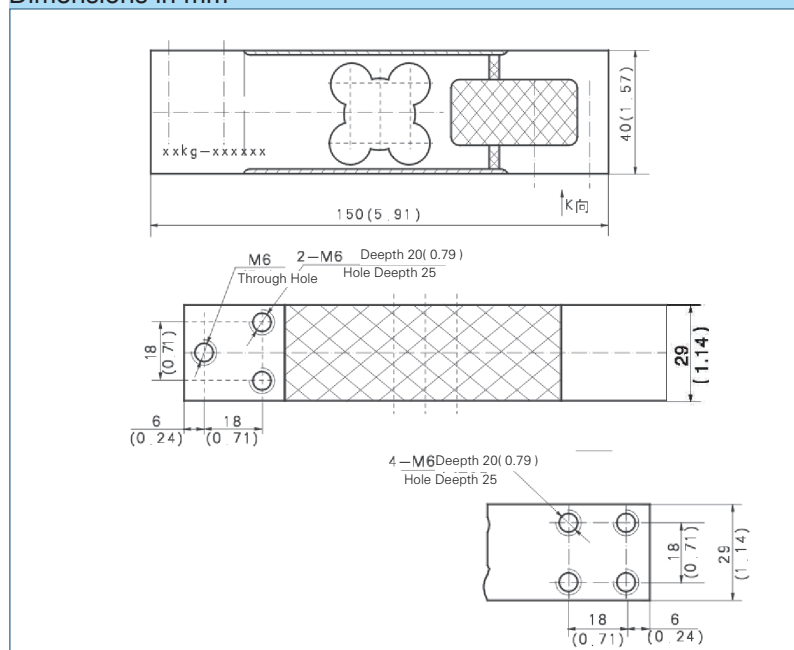
Available models

Capacity	Accuracy	Full article description
5kg-200kg	C3	L6L-C3-xxkg-1B

Specification

Maximum capacity (E_{max})	kg	5/8/10/15/20/30/50/80/100/150/200
Output sensitivity (= FS)	mV/V	2.0 ± 0.2
Accuracy class		C3
Combined error	%FS	± 0.02
Creep	%FS/30min	± 0.02
Temperature effect on sensitivity	%FS/10°C	± 0.0175
Temperature effect on zero	%FS/10°C	± 0.02
Zero balance	%FS	± 2
Compensated temperature	°C	-10~ +40
Operating temperature	°C	-35~ +65
Input resistance	Ω	406 ± 6
Output resistance	Ω	350 ± 3
Insulation resistance	M Ω	≥ 5000 (50VDC)
Excitation, recommended voltage	V	5~12(DC)
Excitation maximum	V	18(DC)
Safe overload	of E_{max}	120
Ultimate overload	of E_{max}	150
Ingress protection (according to EN 60529)		IP65
Recommended installation size	mm	400 × 400
Corner correction		0.02%load value/100mm

Dimensions in mm



Wiring

